

# Build out Attenuator

## Passive power reducing optical device

Build out attenuators are used in CATV, telecommunications and data networks, both for digital and analogue applications. They are designed to reduce or balance the power in passive optical networks. The power received by optical equipment must fall within its operating range to ensure proper performance and to maximize the life of optical receivers.

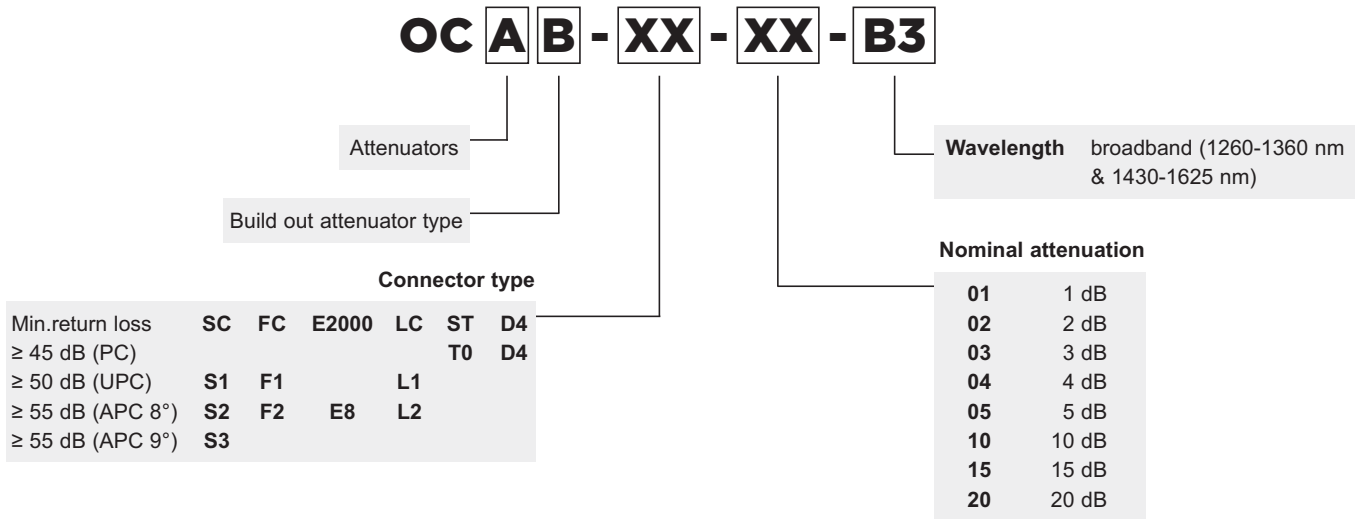
Tyco Electronics offers Build out attenuators, based on the 'high attenuation fiber' technology. The Build-out design can be inserted between the connector and the adapter and can therefore easily be integrated in distribution frames, cabinets and boxes.

All attenuator types are compatible with the Tyco Electronics FIST system.

## Technical information

Wavelength range	1260-1360 nm & 1430-1625 nm
Fiber Type	ITU-T: G.652
Tolerance	1,2,3,4,5 dB : $\pm 0.5$ dB other : $\pm 15\%$
Minimum Return Loss	PC : $\geq 45$ dB, UPC: $\geq 50$ dB, APC: $\geq 55$ dB (mated)
Operating Temperature	-40 to +70°C
Storage Temperature	-40 to +85°C
Max. optical power	250 mW

## Ordering information



For other attenuation values, please contact your local sales engineer.

## Performance specification

Refer to the Tyco Electronics Telecom OSP specification PROP 5337 for more detailed technical information.

Tyco Electronics, TE logo and FIST are trademarks

The information given herein, including drawings, illustrations and schematics which are intended for illustration purposes only, is believed to be reliable. However, Tyco Electronics makes no warranties as to its accuracy or completeness and disclaims any liability in connection with its use. Tyco Electronics' obligations shall only be as set forth in Tyco Electronics' Standard Terms and Conditions of Sale for this product and in no case will Tyco Electronics be liable for any incidental, indirect or consequential damages arising out of the sale, resale, use or misuse of the product. Users of Tyco Electronics products should make their own evaluation to determine the suitability of each such product for the specific application.

Tyco Electronics Raychem NV  
 Diestsesteenweg 692  
 3010 Kessel-Lo, Belgium  
 Tel 32-16 351 011 (USA)1-919-557-8900  
 Fax 32-16 351 697 (USA)1-919-557-8498  
 www.tycoelectronics.com  
 www.telecomosp.com  
 TC 592/DS/6 11/07