

Network interface unit

The NIU is designed especially for high quality two way cable TV networks.

The NIU can be used as a separation between the network of the cable operator and the in-house network.

There are 4 (2-way) TV outlets; 2 with 4 dB gain to access further located TV sets.

Data and telephone outlet have a separate returnband compared to the TV returnband. In this way interference of ingress from one to another is avoided.

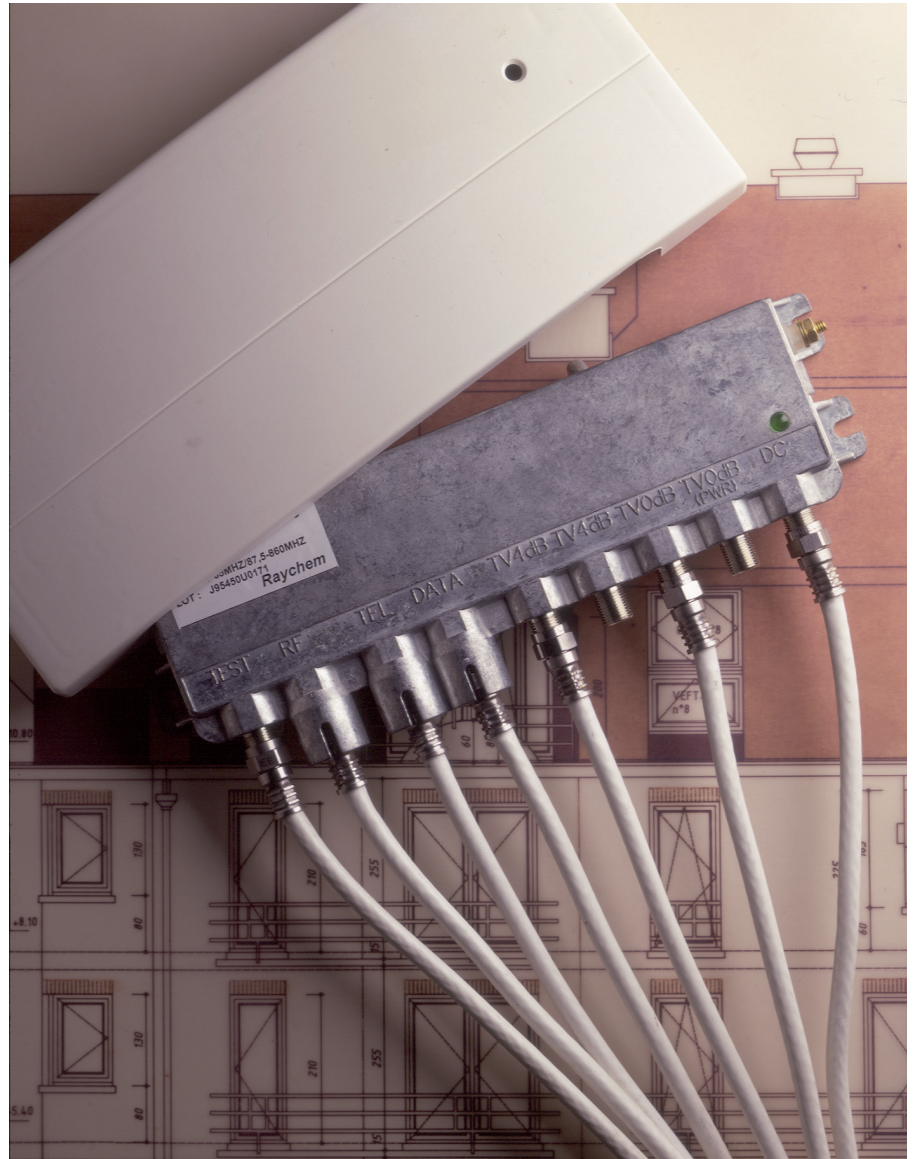
In case of power failure input and telephone output are directly connected with the aid of a relays. This ensures life line functionality of telephone services.

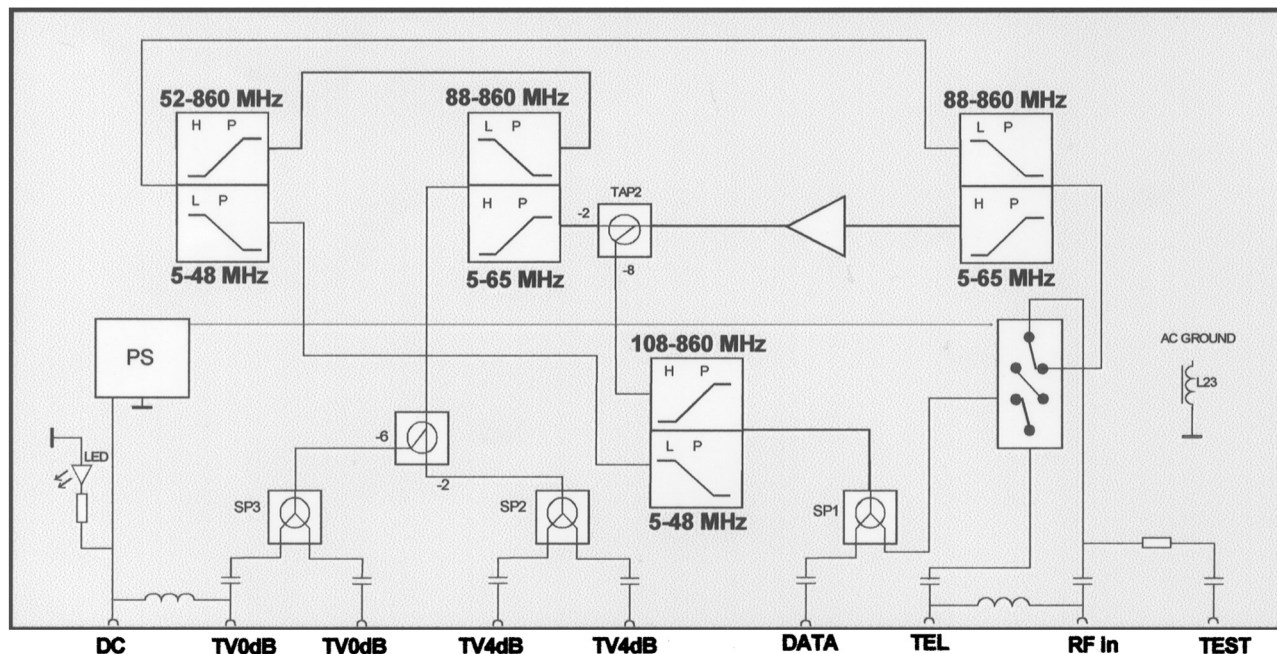
A power feedtru from RF input to telephone output makes it possible to power the telephone equipment from the cable network. The NIU itself has a separate input for powering (DC). It can also be powered via a 0 dB TV outlet with the aid of a power inserter. In this way the NIU can be powered remotely.

All outputs have a minimum of 20 dB isolation between each other.

A 30 dB testpoint at the input makes it possible to check input signal to distinguish signal failure against NIU failure without disconnecting equipment.

All signal input and outputs can withstand 1500V impulse voltage.





	NIU 25/47	NIU 65/88
Bandwidth downstream		
TV	47-860 MHz	88-860 MHz
Data/telephony	108-860 MHz	108-860 MHz
Bandwidth upstream		
TV	5-12 MHz	52-65 MHz
Data/telephony	15-25 MHz	5-48 MHz
Gain downstream		
TV 0dB	0 dB	0 dB
TV 4dB	4 dB	4 dB
Data	0 dB	0 dB
Telephony	0 dB	0 dB
Attenuation upstream		
TV 4d	8 dB	8 dB
TV 0dB	12 dB	12 dB
Data/Telephony	6 dB	6 dB
Intermodulation		
Cenelec 42 Channels		
Vin : 16 dBmV flat		
CTB	> 60 dB	> 60 dB
CSO	> 60 dB	> 60 dB

	NIU 25/47	NIU 65/88
Flatness		
All frequency bands	< ± 1,5 dB	< ± 1,5 dB
Reflexion attenuation	> 16 dB	> 16 dB
Noise	< 7,5 dB	< 7,5 dB
RFI-Isolation	> 85 dB	> 85 dB
Cenelec EN50083-2		
Propagation time downstream	< 20 nsec	< 20 nsec
Insulation between ports	> 20 dB	> 20 dB
Connectors	F-connector	F-connector
Body material	Zamac	Zamac
Dimensions	L240, H100, D40 (Plastic cover)	L240, H100, D40 (Plastic cover)

tyco

Electronics

Tyco Electronics Raychem NV

Diestsesteenweg 692

3010 Kessel-Lo, Belgium

Tel 32-16 351 011 (USA) 1-919-557-8900

Fax 32-16 351 697 (USA) 1-919-557-8498

www.tycoelectronics.com

www.telecomosp.com

a vital part of your world

© 2005 Tyco Electronics
TC 548/DS/1 01/00

Tyco is a trademark

The information given herein, including drawings, illustrations and schematics which are intended for illustration purposes only, is believed to be reliable. However, Tyco Electronics makes no warranties as to its accuracy or completeness and disclaims any liability in connection with its use. Tyco Electronics' obligations shall only be as set forth in Tyco Electronics' Standard Terms and Conditions of Sale for this product and in no case will Tyco Electronics be liable for any incidental, indirect or consequential damages arising out of the sale, resale, use or misuse of the product. Users of Tyco Electronics products should make their own evaluation to determine the suitability of each such product for the specific application.