

Figure 1

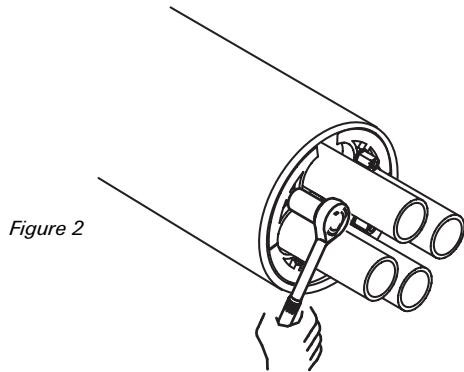


Figure 2

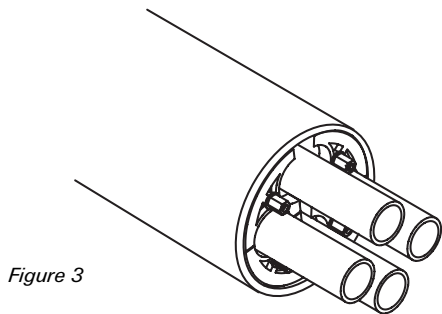


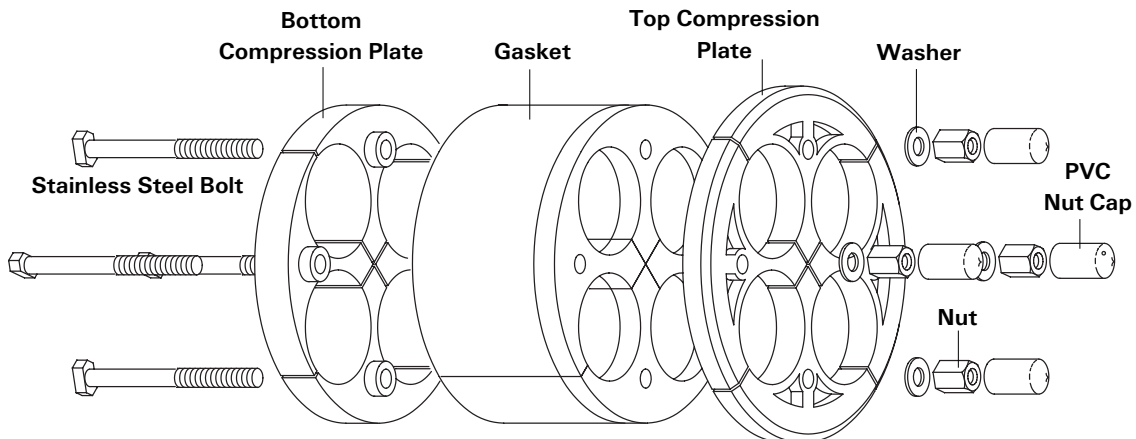
Figure 3

Product Selection

1. Determine the inside diameter of the outer duct, and the outside diameter of the cable or inner duct. Select the correct plug from the chart on page 3.
2. If the diameter of the cable or inner duct is smaller than the specified range, use a bushing sleeve to build up the cable or inner duct diameter. From the chart on page 2, select a plug with a Bushing Sleeve Series number, and refer to the Bushing Sleeve installation instructions, data sheet, or product catalog for a chart that will provide information required to select the correct bushing sleeve.
3. Any unused ports in the plug can be blocked with a Hole Plug. From the chart on page 2, select a plug with a Bushing Sleeve Series number. Refer to the hole plug installation instructions, data sheet, or product catalog for a chart that will provide information required to select the correct hole plug for that bushing sleeve series.

Installation Instructions

1. Wipe pipe, conduit, or cable clean with cloth. If bushing is needed, split the bushing and place it around pipe, conduit, or cable. (Do not overlap split on bushing.)
2. Loosen nuts to relieve pressure on gasket.
3. Open the plug at the split in the gasket. Wrap the plug around the pipe, conduit, or cable. (Figure 1)
4. Insert the plug into the duct. (Figure 2) Tighten the nuts clockwise, evenly, with hand tool. Do not exceed 5-6 ft. lbs. Cover each nut with a PVC nut cap.
5. Installation complete. (Figure 3)



Sizes and Specifications:

Part Number	Product Descriptor*	Size	Duct ID Range		Cable or Duct OD Range	
			inches	mm	inches	mm
856874	JM-QUA-35Q118H	3.50	3.43 - 3.58	87.1 - 90.9	1.10 - 1.18	27.9 - 30.0
193540	JM-QUA-35Q126SG	3.50	3.50 - 3.62	88.9 - 91.9	1.14 - 1.26	29.0 - 32.0
D67478	JM-QUA-35Q126SG-PU	3.50	3.50 - 3.62	88.9 - 91.9	1.14 - 1.26	29.0 - 32.0
391614	JM-QUA-36Q136HG	3.60	3.62 - 3.81	91.9 - 96.8	1.19 - 1.36	30.2 - 34.5
596522	JM-QUA-36Q126S	3.75	3.70 - 3.81	94.0 - 96.8	1.14 - 1.26	29.0 - 32.0
C82944	JM-QUA-36Q126SG	3.75	3.70 - 3.81	94.0 - 96.8	1.14 - 1.26	29.0 - 32.0
396490	JM-QUA-36Q136SG	3.75	3.70 - 3.81	94.0 - 96.8	1.19 - 1.36	30.2 - 34.5
610144	JM-QUA-40Q136H	3.80	3.86 - 4.00	98.0 - 101.6	1.19 - 1.36	30.2 - 34.5
341608	JM-QUA-40Q136S	4.00	4.02 - 4.17	102.1 - 105.9	1.19 - 1.36	30.2 - 34.5
583840	JM-QUA-40Q136SG	4.00	4.02 - 4.17	102.1 - 105.9	1.19 - 1.36	30.2 - 34.5
336906	JM-QUA-40Q142S	4.00	4.02 - 4.17	102.1 - 105.9	1.36 - 1.42	34.5 - 36.1
467948	JM-QUA-40Q142SG	4.00	4.02 - 4.17	102.1 - 105.9	1.36 - 1.42	34.5 - 36.1
575684	JM-QUA-40Q136A	4.20	4.19 - 4.35	106.4 - 110.5	1.19 - 1.36	30.2 - 34.5
487842	JM-QUA-40Q136AG	4.20	4.19 - 4.35	106.4 - 110.5	1.19 - 1.36	30.2 - 34.5
627014	JM-QUA-40Q142AG	4.20	4.19 - 4.35	106.4 - 110.5	1.30 - 1.42	33.0 - 36.1
557800	JM-QUA-40Q157AG	4.20	4.19 - 4.35	106.4 - 110.5	1.42 - 1.57	36.1 - 39.8
976712	JM-QUA-40Q160AG	4.20	4.19 - 4.35	106.4 - 110.5	1.48 - 1.60	37.6 - 40.6
834194	JM-QUA-50Q142HG	4.80	4.88 - 5.00	124.0 - 127.0	1.30 - 1.42	33.0 - 36.1
694672	JM-QUA-50Q167HG	4.80	4.88 - 5.00	124.0 - 127.0	1.53 - 1.67	38.9 - 42.4
594784	JM-QUA-50Q192HG	4.80	4.88 - 5.00	124.0 - 127.0	1.77 - 1.92	45.0 - 48.8
447282	JM-QUA-50Q136SG	5.00	5.04 - 5.28	128.0 - 134.1	1.19 - 1.36	30.2 - 34.5
944150	JM-QUA-50Q142SG	5.00	5.04 - 5.28	128.0 - 134.1	1.30 - 1.42	33.0 - 36.1
296044	JM-QUA-50Q150SG	5.00	5.04 - 5.28	128.0 - 134.1	1.36 - 1.50	34.5 - 38.1
935544	JM-QUA-50Q167S	5.00	5.04 - 5.28	128.0 - 134.1	1.50 - 1.67	38.1 - 42.4
406136	JM-QUA-50Q177SG	5.00	5.04 - 5.28	128.0 - 134.1	1.67 - 1.77	42.4 - 45.0
462502	JM-QUA-50Q192S	5.00	5.04 - 5.28	128.0 - 134.1	1.77 - 1.92	45.0 - 48.8
689878	JM-QUA-50Q192SG	5.00	5.04 - 5.28	128.0 - 134.1	1.77 - 1.92	45.0 - 48.8
142324	JM-QUA-60Q142HG	5.80	5.82 - 5.98	147.8 - 151.9	1.30 - 1.42	33.0 - 36.1
314456	JM-QUA-60Q167HG	5.80	5.82 - 5.98	147.8 - 151.9	1.53 - 1.67	38.9 - 42.4
521878	JM-QUA-60Q192HG	5.80	5.82 - 5.98	147.8 - 151.9	1.81 - 1.92	46.0 - 48.8
357672	JM-QUA-60Q136SG	6.00	6.02 - 6.33	152.9 - 160.8	1.19 - 1.36	30.2 - 34.5
720508	JM-QUA-60Q142SG	6.00	6.02 - 6.33	152.9 - 160.8	1.30 - 1.42	33.0 - 36.1
818304	JM-QUA-60Q150SG	6.00	6.02 - 6.33	152.9 - 160.8	1.36 - 1.50	34.5 - 38.1
634192	JM-QUA-60Q167SG	6.00	6.02 - 6.33	152.9 - 160.8	1.50 - 1.67	38.1 - 42.4
430614	JM-QUA-60Q177SG	6.00	6.02 - 6.33	152.9 - 160.8	1.67 - 1.77	42.4 - 45.0
776546	JM-QUA-60Q192S	6.00	6.02 - 6.33	152.9 - 160.8	1.77 - 1.92	45.0 - 48.8
596818	JM-QUA-60Q192SG	6.00	6.02 - 6.33	152.9 - 160.8	1.77 - 1.92	45.0 - 48.8
C85095	JM-QUA-60Q196SG	6.00	6.02 - 6.33	152.9 - 160.8	1.84 - 1.96	47.0 - 49.8
930142	JM-QUA-60Q216SG	6.00	6.02 - 6.33	152.9 - 160.8	1.96 - 2.16	49.8 - 54.9
585502	JM-QUA-60Q220S	6.00	6.02 - 6.33	152.9 - 160.8	1.96 - 2.20	49.8 - 55.8
312314	JM-QUA-80Q238SG	8.00	7.76 - 7.90	197.1 - 200.7	2.16 - 2.38	54.9 - 60.4
Custom Quadplex						
067610	JM-QUA-40Q136S-R	4.00	4.02 - 4.17	102.1 - 105.9	1.19 - 1.36	30.2 - 34.5
990698	JM-QUA-40F136S	4.00	3.96 - 4.13	100.6 - 104.9	1.22 - 1.36	31.0 - 34.5
273228	JM-QUA-40F136SG	4.00	3.96 - 4.13	100.6 - 104.9	1.22 - 1.36	31.0 - 34.5
711508	JM-QUA-40F142SG	4.00	3.96 - 4.13	100.6 - 104.9	1.30 - 1.42	33.0 - 36.1
293544	JM-QUA-40F142S	4.00	3.96 - 4.13	100.6 - 104.9	1.30 - 1.42	33.0 - 36.1
F64550	JM-QUA-40Q160AG-1	4.15	4.19 - 4.35	106.4 - 110.5	(2x)1.48 - 1.60	37.6 - 40.6
E23128	JM-QUA-40Q160SG-1	4.00	4.02 - 4.17	102.1 - 105.9	(2x)1.10 - 1.26	27.9 - 32.0
494216	JM-QUA-40Q167SG-1	4.00	4.02 - 4.17	102.1 - 105.9	(2x)1.48 - 1.60	37.6 - 40.6
691044	JM-QUA-40Q169SG-1	4.00	4.02 - 4.17	102.1 - 105.9	(2x)1.10 - 1.26	27.9 - 32.0
E27292	JM-QUA-45Q160SG-1	4.50	4.61 - 4.80	117.1 - 121.9	(2x)1.56 - 1.67	39.6 - 42.4
					(2x)1.24 - 1.36	31.5 - 34.5
					(2x)1.59 - 1.69	40.4 - 42.9
					(2x)1.24 - 1.36	31.5 - 34.5
					(2x)1.48 - 1.60	(2x) 37.6 - 40.5
					(2x)1.14 - 1.26	(2x) 29.0 - 32.0

*Suffix Descriptor

S - Standard PVC and PE ducts (ID)

A - Oversize duct (ID)

H - Undersize ducts (ID)

HH - Undersize ducts and overlap gasket

B - Duct Plugs with inner bushing

G - Duct Plugs with coated metal compression plates

- Ports with different ID

H - Hole Plug Included

Tyco Electronics Corporation

8000 Purfoy Road

Fuquay-Varina, NC 27526-3000

Tel.: 919-557-8900

Fax: 919-557-8498

www.tycoelectronics.com

Tyco Electronics and the TE logo are trademarks.

The information given herein, including drawings, illustrations, charts and schematics which are intended for illustration purposes only, is believed to be reliable. However, Tyco Electronics Corporation makes no warranties as to its accuracy or completeness and disclaims any liability in connection with its use. Tyco Electronics' obligations shall only be as set forth in Tyco Electronics' Standard Terms and Conditions of Sale for this product and in no case will Tyco Electronics be liable for any incidental, indirect or consequential damages arising out of the sale, resale, use or misuse of the product. Users of Tyco Electronics products should make their own evaluation to determine the suitability of each such product for the specific application.