

Figure 1

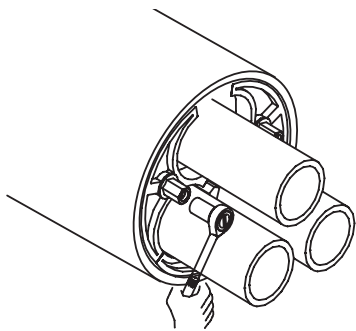


Figure 2

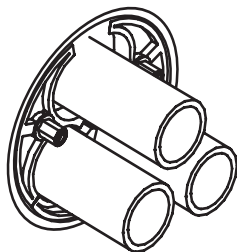


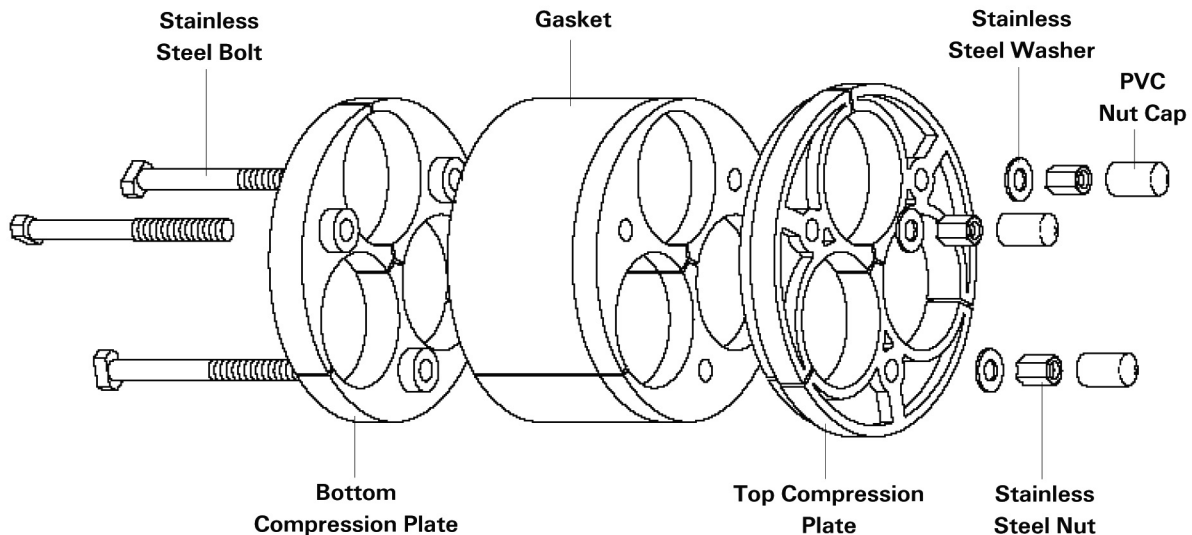
Figure 3

Product Selection

1. Determine the inside diameter of the outer duct, and the outside diameter of the cable or inner duct. Select the correct plug from the chart on page 3.
2. If the diameter of the cable or inner duct is smaller than the specified range, use a bushing sleeve to build up the cable or inner duct diameter. From the chart on page 3, select a plug with a Bushing Sleeve Series number, and refer to the Bushing Sleeve installation instructions, data sheet, or product catalog for a chart that will provide information required to select the correct bushing sleeve.
3. Any unused ports in the plug can be blocked with a Hole Plug. From the chart on page 2, select a plug with a Bushing Sleeve Series number. Refer to the hole plug installation instructions, data sheet, or product catalog for a chart that will provide information required to select the correct hole plug for that bushing sleeve series.

Installation Instructions

1. Wipe pipe, conduit, or cable clean with cloth. If bushing is needed, split the bushing and place it around pipe, conduit, or cable. (Do not overlap split on bushing.)
2. Loosen nuts to relieve pressure on gasket.
3. Open the plug at the split in the gasket. Wrap the plug around the pipe, conduit, or cable. (Figure 1)
4. Insert the plug into the duct. (Figure 2) Tighten the nuts clockwise, evenly, with hand tool. Do not exceed 5-6 ft. lbs. Cover each nut with a PVC nut cap.
5. Installation complete. (Figure 3)



Ordering Information (dimensions shown in inches/millimeters)

Sizes and Specifications

Part Number	Product Descriptor*	Size	Duct ID Range		Cable or Duct OD Range	
			inches	mm	inches	mm
E11008	JM-TRI-21B057SG	2.00	1.97 - 2.13	50.0 - 54.1	0.43 - 0.57	10.9 - 14.5
F71967	JM-TRI-21B057SGB	2.00	1.97 - 2.13	50.0 - 54.1	0.35 - 0.57	8.9 - 14.5
477744	JM-TRI-21B070SGB	2.00	1.97 - 2.13	50.0 - 54.1	0.50 - 0.70	12.7 - 17.8
614802	JM-TRI-25B057SG	2.50	2.40 - 2.56	61.0 - 65.0	0.43 - 0.57	10.9 - 14.5
742060	JM-TRI-25B057SGB	2.50	2.40 - 2.56	61.0 - 65.0	0.35 - 0.57	8.9 - 14.5
589664	JM-TRI-25B070SG	2.50	2.40 - 2.56	61.0 - 65.0	0.62 - 0.70	15.7 - 17.8
256254	JM-TRI-25B070SGB	2.50	2.40 - 2.56	61.0 - 65.0	0.50 - 0.70	12.7 - 17.8
902306	JM-TRI-25B090SG	2.50	2.40 - 2.56	61.0 - 65.0	0.82 - 0.90	20.8 - 22.9
929518	JM-TRI-30B126SG	3.00	3.03 - 3.15	77.0 - 80.0	1.10 - 1.26	27.9 - 32.0
214822	JM-TRI-30B136AG	3.00	3.26 - 3.37	82.8 - 85.6	1.22 - 1.36	31.0 - 34.5
610626	JM-TRI-35B126S	3.50	3.49 - 3.62	88.6 - 91.9	1.10 - 1.26	27.9 - 32.0
436044	JM-TRI-35B136S	3.50	3.49 - 3.62	88.6 - 91.9	1.22 - 1.36	31.0 - 34.5
A43908	JM-TRI-35B136S-C	3.50	3.49 - 3.62	88.6 - 91.9	1.22 - 1.36	31.0 - 34.5
894136	JM-TRI-35B142S	3.50	3.49 - 3.62	88.6 - 91.9	1.30 - 1.42	33.0 - 36.1
804356	JM-TRI-35B155HHG	3.50	3.43 - 3.54	87.1 - 89.9	1.38 - 1.54	35.1 - 39.1
632474	JM-TRI-36B126SG	3.60	3.70 - 3.81	94.0 - 96.8	1.10 - 1.26	27.9 - 32.0
136838	JM-TRI-36B136SG	3.60	3.70 - 3.81	94.0 - 96.8	1.22 - 1.36	31.0 - 34.5
175850	JM-TRI-40B122S	4.00	3.94 - 4.13	100.1 - 104.9	1.07 - 1.22	27.2 - 31.0
004670	JM-TRI-40B122SG	4.00	3.94 - 4.13	100.1 - 104.9	1.07 - 1.22	27.2 - 31.0
381744	JM-TRI-40B136S	4.00	3.94 - 4.13	100.1 - 104.9	1.22 - 1.36	31.0 - 34.5
764586	JM-TRI-40B136SG	4.00	3.94 - 4.13	100.1 - 104.9	1.22 - 1.36	31.0 - 34.5
C96804	JM-TRI-40B136S-C	4.00	3.94 - 4.13	100.1 - 104.9	1.22 - 1.36	31.0 - 34.5
106458	JM-TRI-40B142S	4.00	3.94 - 4.13	100.1 - 104.9	1.30 - 1.42	33.0 - 36.1
800310	JM-TRI-40B142SG	4.00	3.94 - 4.13	100.1 - 104.9	1.30 - 1.42	33.0 - 36.1
342658	JM-TRI-40B150SG	4.00	3.94 - 4.13	100.1 - 104.9	1.36 - 1.50	34.5 - 38.1
A62712	JM-TRI-40B167SG	4.00	4.09 - 4.29	103.9 - 109.0	1.53 - 1.67	38.9 - 42.4
313092	JM-TRI-40B167S	4.00	4.09 - 4.29	103.9 - 109.0	1.53 - 1.67	38.9 - 42.4
084348	JM-TRI-40B136AG	4.10	4.16 - 4.29	105.7 - 109.0	1.22 - 1.36	31.0 - 34.5
342518	JM-TRI-40B136A	4.10	4.16 - 4.29	105.7 - 109.0	1.22 - 1.36	31.0 - 34.5
887682	JM-TRI-40B142AG	4.10	4.16 - 4.29	105.7 - 109.0	1.26 - 1.42	32.0 - 36.1
028764	JM-TRI-40B142A	4.10	4.16 - 4.29	105.7 - 109.0	1.26 - 1.42	32.0 - 36.1
969656	JM-TRI-40B150A	4.10	4.16 - 4.29	105.7 - 109.0	1.36 - 1.50	34.5 - 38.1
194906	JM-TRI-40B150AG	4.10	4.16 - 4.29	105.7 - 109.0	1.36 - 1.50	34.5 - 38.1
127328	JM-TRI-40B167A	4.10	4.16 - 4.29	105.7 - 109.0	1.53 - 1.67	38.9 - 42.4
844602	JM-TRI-42B136SG	4.20	4.48 - 4.72	113.8 - 119.9	1.22 - 1.36	31.0 - 34.5
978864	JM-TRI-46B167SG	4.60	4.76 - 4.96	121.0 - 126.0	1.53 - 1.67	38.9 - 42.4
799292	JM-TRI-50B136HG	4.80	4.88 - 5.10	124.0 - 129.5	1.22 - 1.36	31.0 - 34.5
382176	JM-TRI-50B142HG	4.80	4.88 - 5.10	124.0 - 129.5	1.30 - 1.42	33.0 - 36.1
D87623	JM-TRI-50B150HG	4.80	4.88 - 5.10	124.0 - 129.5	1.36 - 1.50	34.5 - 38.1
380982	JM-TRI-50B167HG	4.80	4.88 - 5.10	124.0 - 129.5	1.53 - 1.67	38.9 - 42.4
A44971	JM-TRI-50B177HG	4.80	4.88 - 5.10	124.0 - 129.5	1.64 - 1.77	41.7 - 45.0
313994	JM-TRI-50B192HG	4.80	4.88 - 5.10	124.0 - 129.5	1.77 - 1.92	45.0 - 48.8
864810	JM-TRI-50B136SG	5.00	5.04 - 5.35	128.0 - 135.9	1.18 - 1.36	30.0 - 34.5
426906	JM-TRI-50B142SG	5.00	5.04 - 5.35	128.0 - 135.9	1.26 - 1.42	32.0 - 36.1
938828	JM-TRI-50B150SG	5.00	5.04 - 5.35	128.0 - 135.9	1.36 - 1.50	34.5 - 38.1
320024	JM-TRI-50B167SG	5.00	5.04 - 5.35	128.0 - 135.9	1.50 - 1.67	38.1 - 42.4
E59534	JM-TRI-50B177SG	5.00	5.04 - 5.35	128.0 - 135.9	1.64 - 1.77	41.7 - 45.0
914454	JM-TRI-50B192SG	5.00	5.04 - 5.35	128.0 - 135.9	1.73 - 1.92	43.9 - 48.8
300224	JM-TRI-60B136HG	5.80	5.82 - 5.98	147.8 - 151.9	1.18 - 1.36	30.0 - 34.5
279718	JM-TRI-60B142HG	5.80	5.82 - 5.98	147.8 - 151.9	1.30 - 1.42	33.0 - 36.1
E46341	JM-TRI-60B150HG	5.80	5.82 - 5.98	147.8 - 151.9	1.36 - 1.50	34.5 - 38.1
114902	JM-TRI-60B167HG	5.80	5.82 - 5.98	147.8 - 151.9	1.54 - 1.67	39.1 - 42.4
E08518	JM-TRI-60B177HG	5.80	5.82 - 5.98	147.8 - 151.9	1.64 - 1.77	41.7 - 45.0
961652	JM-TRI-60B192HG	5.80	5.82 - 5.98	147.8 - 151.9	1.81 - 1.92	46.0 - 48.8
C28385	JM-TRI-60B196HG	5.80	5.82 - 5.98	147.8 - 151.9	1.84 - 1.96	46.7 - 49.8
181018	JM-TRI-60B204HG	5.80	5.82 - 5.98	147.8 - 151.9	1.92 - 2.04	48.8 - 51.8
727930	JM-TRI-60B220HG	5.80	5.82 - 5.98	147.8 - 151.9	2.08 - 2.20	52.8 - 55.9
923890	JM-TRI-60B236HG	5.80	5.82 - 5.98	147.8 - 151.9	1.96 - 2.36	49.8 - 59.9
C27651	JM-TRI-60B236HGB	5.80	5.82 - 5.98	147.8 - 151.9	1.96 - 2.36	49.8 - 59.9
724984	JM-TRI-60B136SG	6.00	6.00 - 6.22	152.4 - 158.0	1.18 - 1.36	30.0 - 34.5
177006	JM-TRI-60B142SG	6.00	6.00 - 6.22	152.4 - 158.0	1.26 - 1.42	32.0 - 36.1
662416	JM-TRI-60B167SG	6.00	6.00 - 6.22	152.4 - 158.0	1.50 - 1.67	38.1 - 42.4
E16791	JM-TRI-60B177SG	6.00	6.00 - 6.22	152.4 - 158.0	1.64 - 1.77	41.7 - 45.0
110988	JM-TRI-60B192SG	6.00	6.00 - 6.22	152.4 - 158.0	1.73 - 1.92	43.9 - 48.8
D68827	JM-TRI-60B196SG	6.00	6.00 - 6.22	152.4 - 158.0	1.84 - 1.96	46.7 - 49.8
950944	JM-TRI-60B204SG	6.00	6.00 - 6.22	152.4 - 158.0	1.92 - 2.04	48.8 - 51.8
412656	JM-TRI-60B217SG	6.00	6.00 - 6.22	152.4 - 158.0	2.05 - 2.17	52.1 - 55.1
489480	JM-TRI-60B220SG	6.00	6.00 - 6.22	152.4 - 158.0	2.08 - 2.20	52.8 - 55.9
160176	JM-TRI-60B236SG	6.00	6.00 - 6.22	152.4 - 158.0	2.24 - 2.36	56.9 - 59.9
149562	JM-TRI-60B236SGB	6.00	6.00 - 6.22	152.4 - 158.0	1.92 - 2.32	48.8 - 58.9
566080	JM-TRI-60B244SG	6.00	6.00 - 6.22	152.4 - 158.0	2.33 - 2.44	59.2 - 62.0
075624	JM-TRI-60B252SG	6.00	6.00 - 6.22	152.4 - 158.0	2.40 - 2.52	61.0 - 64.0
202290	JM-TRI-60B255SG	6.00	6.00 - 6.22	152.4 - 158.0	2.45 - 2.55	62.2 - 64.8
795634	JM-TRI-100B346HG	10.00	8.70 - 8.90	221.0 - 226.1	3.23 - 3.39	82.0 - 86.1
515168	JM-TRI-100B192S	10.00	9.96 - 10.25	253.0 - 260.4	1.81 - 1.92	46.0 - 48.8
960076	JM-TRI-120B396HG	12.00	10.35 - 10.55	262.9 - 268.0	3.74 - 3.90	95.0 - 99.1

Custom Triplex						
982534	JM-TRI-30B090SGB-2	3.00	3.03 - 3.15	77.0 - 80.0	(2x)0.65 - 0.90 (1x)0.57 - 0.70	16.5 - 22.9 14.5 - 17.8
125962	JM-TRI-30B132S-1	3.00	3.03 - 3.15	77.0 - 80.0	(2x)1.18 - 1.30 (1x)0.79 - 0.87	30.0 - 33.0 20.1 - 22.1
163986	JM-TRI-31T126SB	3.10	3.10 - 3.30	78.7 - 83.8	1.10 - 1.26	27.9 - 32.0
455984	JM-TRI-35B118HG-2	3.50	3.49 - 3.62	88.6 - 91.9	(2x)1.42 - 1.55 (1x)1.02 - 1.15	36.1 - 39.4 25.9 - 29.2
849012	JM-TRI-35B155HG-1	3.50	3.49 - 3.62	88.6 - 91.9	(1x)1.42 - 1.55 (2x)1.02 - 1.15	36.1 - 39.4 25.9 - 29.2
A32730	JM-TRI-38T126SGB	3.80	3.78 - 4.09	96.0 - 103.9	1.18 - 1.26	30.0 - 32.0
642858	JM-TRI-40T142S	4.00	3.92 - 4.05	99.6 - 102.9	1.31 - 1.42	33.3 - 36.1
398992	JM-TRI-40T167S	4.00	4.09 - 4.29	103.9 - 109.0	1.54 - 1.67	39.1 - 42.4
142784	JM-TRI-40T167SGB-H	4.00	4.09 - 4.29	103.9 - 109.0	1.54 - 1.67	39.1 - 42.4
101256	JM-TRI-40B179SG-1	4.00	3.94 - 4.13	100.1 - 104.9	1.57 - 1.67	40.0 - 42.4
008098	JM-TRI-40B190SHG-2	4.00	4.02 - 4.16	102.1 - 105.7	(2x)1.57 - 1.67 (1x)1.81 - 1.91	40.0 - 42.4 46.0 - 48.5
914454	JM-TRI-50B260SG-1	5.00	5.04 - 5.35	128.0 - 135.9	(1x)2.40-2.56 (2x)0.47-0.55	61.0 - 65.0 11.9 - 14.0

*Suffix Descriptor

S - Standard PVC and PE ducts (ID)

A - Oversize duct (ID)

H - Undersize ducts (ID)

HH - Undersize ducts and overlap gasket

B - Duct Plugs with inner bushing

G - Duct Plugs with coated metal compression plates

- Ports with different ID

H - Hole Plug Included

This product chart lists common, standard sizes. Contact your local sales representative for custom sizes.

Tyco Electronics Corporation

8000 Purfoy Road
Fuquay-Varina, NC 27526-3000
Tel.: 919-557-8900
Fax: 919-557-8498
www.tycoelectronics.com

Tyco Electronics and the TE logo are trademarks.

The information given herein, including drawings, illustrations, charts and schematics which are intended for illustration purposes only, is believed to be reliable. However, Tyco Electronics Corporation makes no warranties as to its accuracy or completeness and disclaims any

liability in connection with its use. Tyco Electronics' obligations shall only be as set forth in Tyco Electronics' Standard Terms and Conditions of Sale for this product and in no case will Tyco Electronics be liable for any incidental, indirect or consequential damages arising out of the sale, resale, use or misuse of the product. Users of Tyco Electronics products should make their own evaluation to